

Instructions



WFM7F02 Portable Cabinet WFM700 Series Waveform Monitors 071-1106-01

Warning

The servicing instructions are for use by qualified personnel only. To avoid personal injury, do not perform any servicing unless you are qualified to do so. Refer to all safety summaries prior to performing service.

www.tektronix.com



071110601

Copyright © Tektronix, Inc. All rights reserved.

Tektronix products are covered by U.S. and foreign patents, issued and pending. Information in this publication supercedes that in all previously published material. Specifications and price change privileges reserved.

Tektronix, Inc., P.O. Box 500, Beaverton, OR 97077

TEKTRONIX and TEK are registered trademarks of Tektronix, Inc.

Service Safety Summary

Only qualified personnel should perform service procedures. Read this *Service Safety Summary* before performing any service procedures.

Do Not Service Alone. Do not perform internal service or adjustments of this product unless another person capable of rendering first aid and resuscitation is present.

Disconnect Power. To avoid electric shock, switch off the instrument power, then disconnect the power cord from the mains power.

Use Care When Servicing With Power On. Dangerous voltages or currents may exist in this product. Disconnect power, remove battery (if applicable), and disconnect test leads before removing protective panels, soldering, or replacing components.

To avoid electric shock, do not touch exposed connections.

Terms in this Manual. These terms may appear in this manual:



WARNING. *Warning statements identify conditions or practices that could result in injury or loss of life.*



CAUTION. *Caution statements identify conditions or practices that could result in damage to this product or other property.*

Product Description

This portable cabinet is designed to house a WFM700 Series 1/2 rack monitor for desktop or portable applications. The cabinet has a carrying handle, two stationary rear feet, and two front feet that flip down to provide a stand.

This document supports Tektronix modification 39

NOTE. The ventilation holes and EMI shielding on the WFM7F02 are designed to meet the requirements of the WFM700 only. Do NOT attempt to install other instruments into the WFM7F02.

Supported Products

WFM700 Series

All instruments

Minimum Tool and Equipment List

Required tools and equipment	Part number
TORX driver (T-15)	NA

Kit Parts List

Index Number	Quantity	Part number	Description
-----	1 EA	390-1212-XX	CABINET ASSY:WFM7F02,SILVER GRAY, W/FEET & HANDLE
-----	2 EA	211-0722-XX	SCREW,MACHINE; 6-32 X 0.250,PNH, STL, T-15 TORX
-----	1 EA	200-4716-XX	COVER,FRONT:PROTECTIVE,PC/ABS,GRAY
-----	1 EA	071-1106-01	MANUAL,TECH: KIT INSTRUCTIONS, PORTABLE CABINET, WFM7F02

Installation Instructions

WFM7F02 cabinet dimensions (see Figure 1) are provided for installation information only.

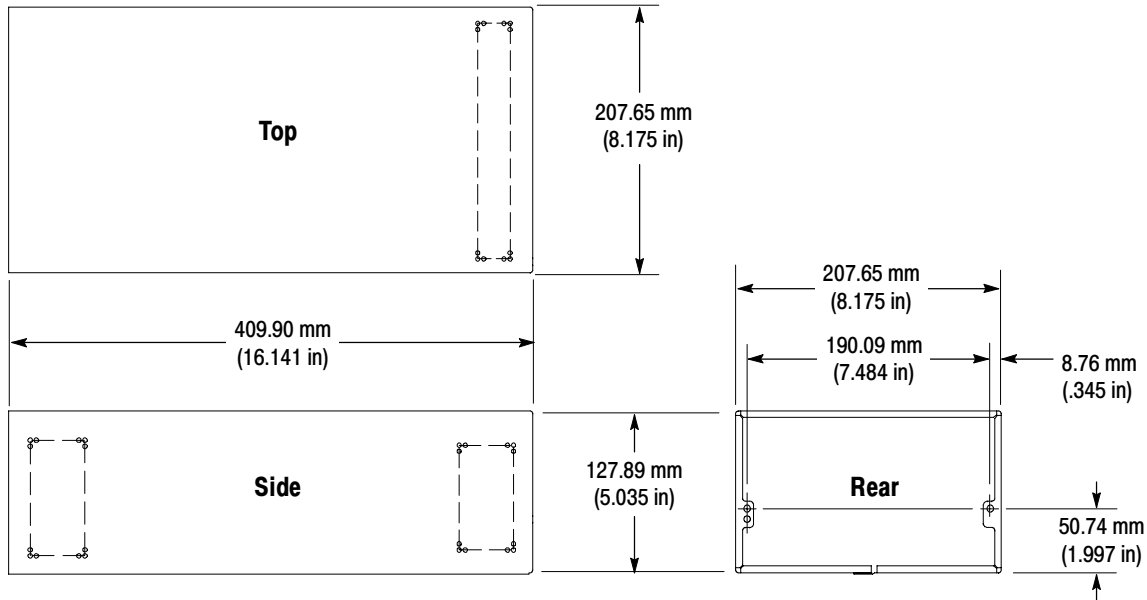


Figure 1: WFM7F02 Cabinet dimensions

Follow these instructions to install a WFM700 instrument into a WFM7F02 Portable Cabinet:



CAUTION. The WFM7F02 is designed to accommodate the WFM700 units only. Do NOT attempt to install any other products in the WFM7F02. To do so may cause serious instrument damage and cause overheating problems.

1. Position the instrument with the front panel down on a work surface, protecting the front panel with a pad or cover to prevent damage.
2. If your instrument already has cabinet attaching screws (see Figure 2 for locations), remove the screws.



CAUTION. Do not force the instrument into the cabinet. Key pins on the WFM7F02 cabinet tabs (shown in Figure 2) are designed work only with a WFM700 instrument. Attempting to force an instrument into the cabinet may damage the tabs.

3. Slide the WFM7F02 cabinet over the instrument chassis and down to rest on the front panel frame.
4. At the rear of the cabinet, re-install the two attaching screws through the left and right tabs and into the instrument chassis. If your instrument did not already have attaching screws, then use the two screws provided in this kit. See Figure 2.

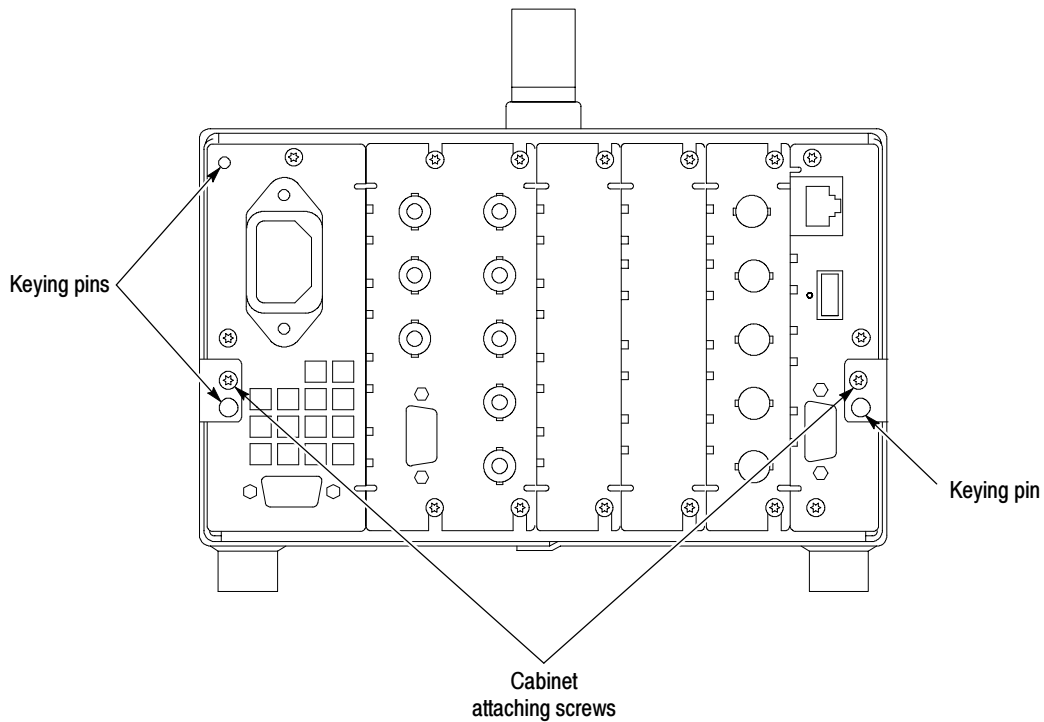


Figure 2: Rear panel attaching screws

This completes the installation procedure.

Replaceable Parts

Use this parts list if you need to order replacement parts for your WMF7F02 cabinet. Refer to Figure 3.

Index Number	Quantity	Part number	Description
1	2 EA	344-0098-00	CLIP,DECORATIVE:CARRYING HANDLE
2	2 EA	213-0155-01	SCREW,SHOULDER:10-32 X 0.355,0.5 OD HD,STL CD PL,POZ
3	1 SET	348-1515-00	FEET,CABINET:SET OF 4
4	1 EA	200-4716-00	COVER,FRONT:PROTECTIVE,PC/ABS,GRAY
5	1 EA	390-1212-00	CABINET ASSY:WFM7F02,SILVER GRAY, W/FEET & HANDLE
6	1 EA	367-0037-03	HANDLE,CARRYING:6.0 L,VINYL,GRAY,
-----	1 EA	071-1106-00	MANUAL,TECH:INSTRUCTIONS,WFM7F05

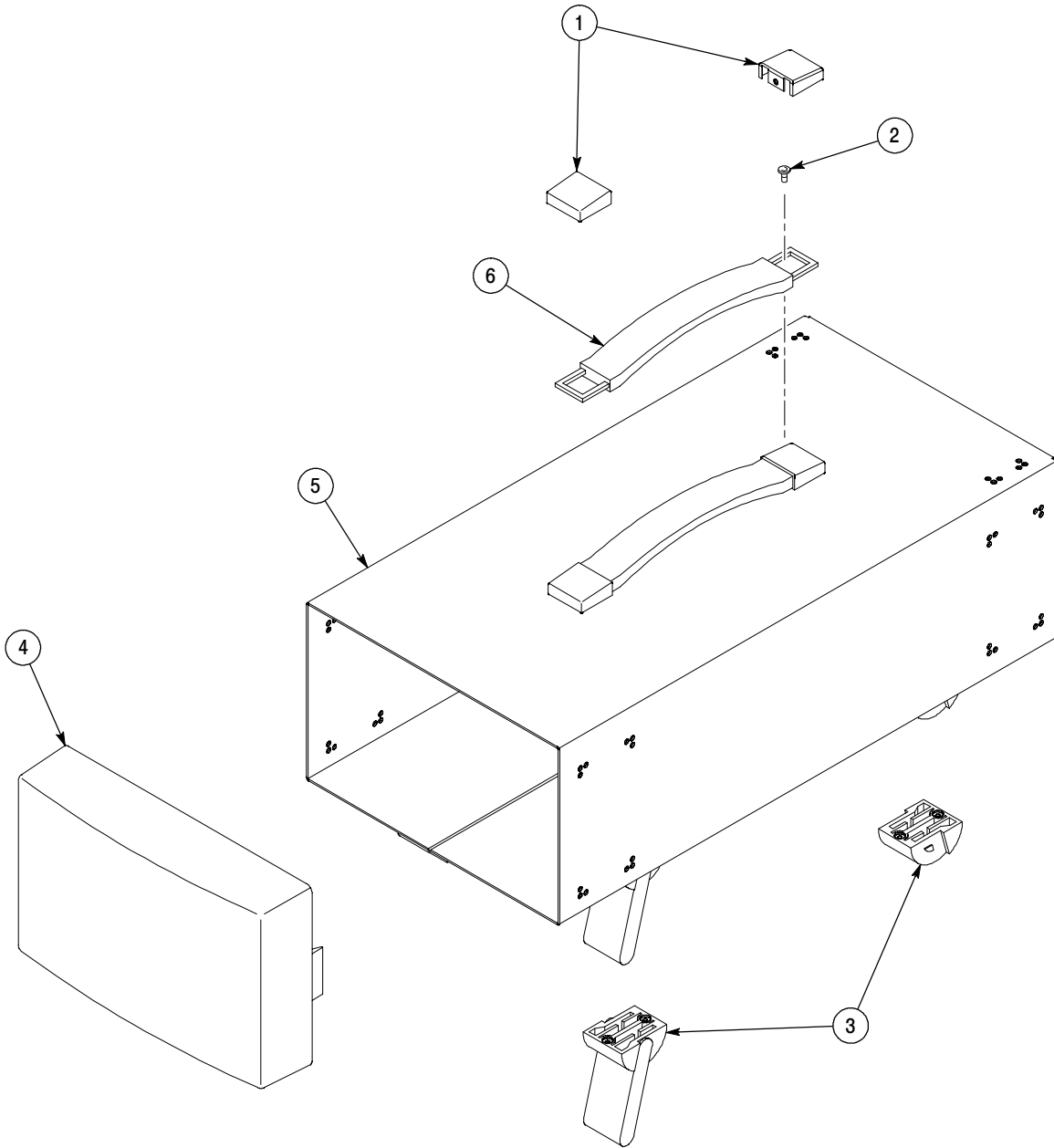


Figure 3: WFM7F02 Exploded view

■ End of document ■